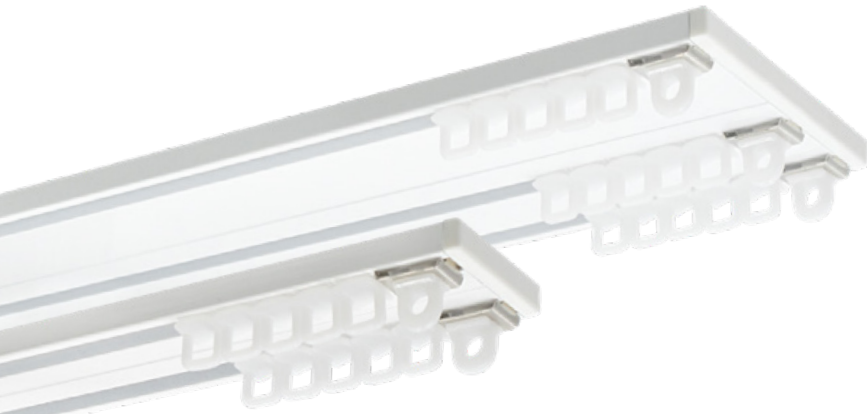




# SLIM-LINE PROJECT CEILING FIX MULTI-GROOVE TRACK



MEDIUM WEIGHT  
CURTAINS

## PRODUCT INFO

MATERIAL	ALUMINIUM ALLOY 6060/T6
WEIGHT	DOUBLE GROOVE = 194 G/M · TRIPLE GROOVE = 403G/M
TRACK AND SIZES	6M SINGLE LENGTHS ONLY
BENDING	THIS TRACK CANNOT BE BENT
ADDITIONAL DETAILS	A HIGHLY FUNCTIONAL AND QUICKLY CONSTRUCTED TRACKING SYSTEM WHEN MULTI-LAYERED CURTAIN EFFECTS ARE REQUIRED. BOTH THE DOUBLE & TRIPLE GROOVE PROFILES FEATURE A HANDY CENTRAL LOCATION GROOVE FOR EASE OF DRILLING FIXING POINTS.
TRACK MAINTENANCE	WE RECOMMEND THAT THE TRACK IS KEPT CLEAN AND DUST FREE. RE-SILICONISATION IS ALSO RECOMMENDED TO PROLONG THE SMOOTH RUNNING OF THE GLIDERS

## KEY FEATURES



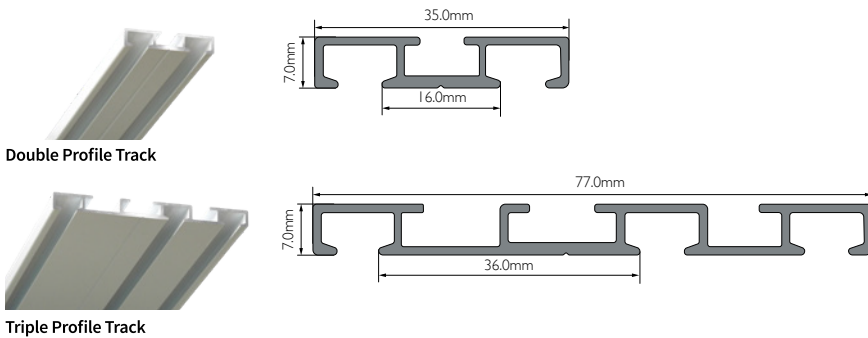
## IDEAL FOR USE IN



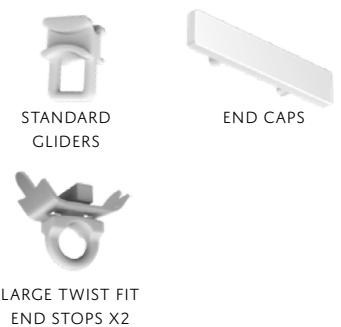
## COLOUR OPTIONS

W  
WHITE

## PROJECT RECESS FIX - TRACK OPTIONS



## KITS INCLUDE



## SLIM-LINE PROJECT CEILING FIX – COMPLETE KITS

COMPONENTS	KIT SIZES							
	1.00m (3'3")	1.50m (4'11")	2.00m (6'7")	2.50m (8'2)	3.00m* (9'10")	4.00m* (13'1")	5.00m* (16'5")	6.00m* (19'8")
PROFILE TRACK	1 x 1.00m	1 x 1.50m	1 x 2.00m	1 x 2.50m	2 x 1.50m	2 x 2.00m	2 x 2.50m	2 x 3.00m
END CAPS	2	2	2	2	2	2	2	2
TWIST END STOPS	2	2	2	2	2	2	2	2
GLIDERS <sup>^</sup>	10	16	20	26	30	40	50	60
DOUBLE GROOVE KIT	16PS2US100W	16PS2US150W	16PS2US200W	16PS2US250W	16PS2US300W	16PS2US400W	16PS2US500W	16PS2US600W
TRIPLE GROOVE KIT	16PS3US100W	16PS3US150W	16PS3US200W	16PS3US250W	16PS3US300W	16PS3US400W	16PS3US500W	16PS3US600W

Packed: 1 px / Outer 5 | Min Qty:1

\* Denotes 2 piece profile with joiner. All kits include fittings. For Wall Fix please add L-Extension Brackets to your order.

<sup>^</sup> Number of Gliders and End Stops is per groove – so for Double Groove total will be x2 and for Triple Groove total will be x3

