

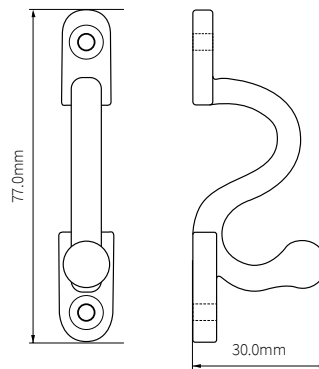


Security Tieback Hook

Designed specifically for trapping one loop end of a Tieback firmly in place to the wall, allowing the opposite Tieback loop end to wrap around your collected curtains and then back to the neat, large ball end hook.

The Renaissance Security Tieback Hook design not only ensures that your tiebacks are held neatly in place at the required position at all times – but also gives you peace of mind that no-one walks away with your valuable tiebacks anytime soon. Ideal for use in hotel and public places. Each hook includes 2x colour matching screws.

Packed: Loose **Outer:** 25



How it works Security Tieback Hooks



One end of the Tieback is held permanently in place against the wall in the upper portion of the Hook, the other Tieback end is free to be wrapped around your curtains and then returned to be securely held on the protruding lower end hook.



Code: 46SH125A



Code: 46SH125B



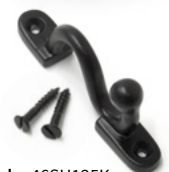
Code: 46SH125I



Code: 46SH125S



Code: 46SH125T



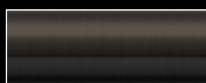
Code: 46SH125K



Antique Brass



Polished Brass



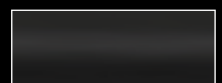
Black Nickel



Polished Chrome



Satin Chrome



Matt Black