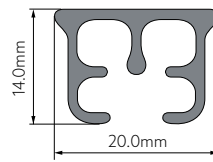




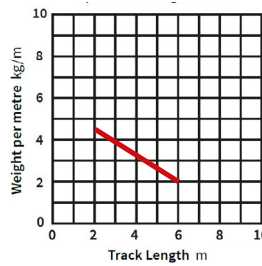
K-SECTION CORDED ALUMINIUM TRACK



DIMENSIONS



OPTIMUM WEIGHT CHART



PRODUCT INFO

MATERIAL	ALUMINIUM ALLOY 6060/T6
TRACK AND SIZES	6M SINGLE LENGTHS ONLY
BENDING	BENDING CAN BE DONE TO A MINIMUM 10CM RADIUS FOR 90° ANGLES AND MINIMUM 30CM FOR CONTINUOUS CURVE.
BENDING METHODS	CAN BE BENT WITH OUR IN-HOUSE TRACK BENDING SERVICE
TRACK MAINTENANCE	WE RECOMMEND THAT THE TRACK IS KEPT CLEAN AND DUST FREE. PERIODIC RE-SILICONISATION IS ALSO RECOMMENDED TO PROLONG THE SMOOTH RUNNING OF THE GLIDERS

KEY FEATURES

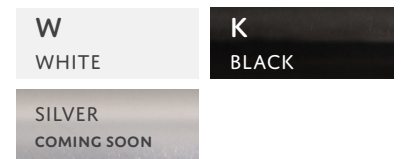


IDEAL FOR USE IN



COLOUR OPTIONS

PLEASE SUBSTITUTE ' ' IN THE ORDER CODE WITH YOUR COLOUR REF LETTERS OF CHOICE



KIT COMPONENTS



TRACK PROFILE
WHITE - 16KC600W
BLACK - 16KC600K



CORDED END CAP WITH RETURN WHEEL
WHITE - 16KCECCW
BLACK - 16KCECCK



CORDED MASTER WHEEL MECHANISM
WHITE - 16KCMCEW
BLACK - 16KCMCEK



OVERLAP ARM LEFT
WHITE - 16KSOL1W
BLACK - 16KSOL1K



OVERLAP ARM RIGHT
WHITE - 16KSUL1W
BLACK - 16KSUL1K



TRACK JOINER
WHITE - 16KSJOINW
BLACK - 16KSJOINK



CORD CONNECTOR
16KSCDCW



CEILING CLICK BRACKET
WHITE - 16KSBCCW
BLACK - 16KSBCCK



SPRING LOADED WALL BRACKET
WHITE - 16KSWSP1W
BLACK - 16KSWSP1K



CAP COVER FOR SPRING LOADED CEILING BRACKET
WHITE - 16KSCSCW
BLACK - 16KSCSCK



SPRING LOADED CEILING BRACKET
WHITE - 16KSCSP1W
BLACK - 16KSCSP1K



K-SECTION CORDED

ALUMINIUM TRACK

GLIDER OPTIONS



K-SECTION GLIDERS
FOR 6MM GROOVE

16KSSTDGW



6MM STANDARD
GLIDERS

WHITE - 16HO738W
BLACK -16HO738K
GREY - 16HO738T



K-SECTION CORDED SURGE
GLIDERS 80MM SPACING

WHITE - 80MM: 6KC80GLST



K-SECTION 6MM
HEAVY DUTY GLIDERS

16HD307W



6MM ROLLER
GLIDERS

WHITE - 16HO025W
BLACK -16HO025K

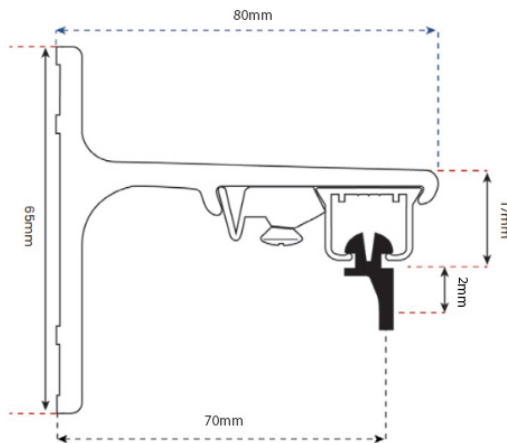


6MM SURGE GLIDERS ON RIBBON
CHOOSE 60MM OR 80MM SPACING

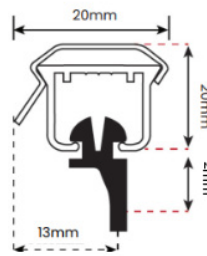
WHITE - 60MM: 16SW6RG60W, 80MM: 16SW6RC80W
BLACK - 60MM: 16SW6RG60K, 80MM: 16SW6RG80K
GREY - 60MM: 16SW6RG60C, 80MM: 16SW6RG80C

DIMENSIONS

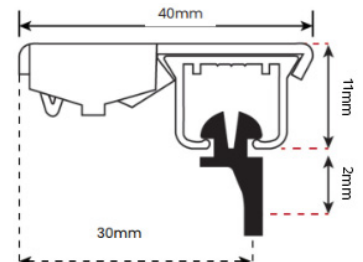
SPRING LOADED WALL FIX DOUBLE HEAVY DUTY BRACKET



CLICK BRACKET



SPRING LOADED CEILING CLICK BRACKET



K-SECTION CORDED – COMPLETE KITS

COMPONENTS	KIT SIZES							
	1.00m (3'3")	1.50m (4'11")	2.00m (6'7")	2.50m (8'2)	3.00m* (9'10")	4.00m* (13'1")	5.00m* (16'5")	6.00m* (19'8")
PROFILE TRACK	1 x 1.00m	1 x 1.50m	1 x 2.00m	1 x 2.50m	2 x 1.50m	2 x 2.00m	2 x 2.50m	2 x 3.00m
CEILING BRACKETS**	3	4	5	6	7	9	11	13
CORDED END CAP WITH RETURN WHEEL + CORDED MECHANISM	1	1	1	1	1	1	1	1
K-SECTION GLIDERS^	10	16	20	26	30	40	50	60
STANDARD KIT CODE	16KSCS100_	16KSCS150_	16KSCS200_	16KSCS250_	16KSCS300_	16KSCS400_	16KSCS500_	16KSCS600_
60MM SURGEWAVE CODE	16KSC6100_	16KSC6150_	16KSC6200_	16KSC6250_	16KSC6300_	16KSC6400_	16KSC6500_	16KSC6600_
80MM SURGEWAVE CODE	16KSC8100_	16KSC8150_	16KSC8200_	16KSC8250_	16KSC8300_	16KSC8400_	16KSC8500_	16KSC8600_
60MM RIBBON SURGE CODE	16KSCRB6100_	16KSCRB6150_	16KSCRB6200_	16KSCRB6250_	16KSCRB6300_	16KSCRB6400_	16KSCRB6500_	16KSCRB6600_
80MM RIBBON SURGE CODE	16KSCRB8100_	16KSCRB8150_	16KSCRB8200_	16KSCRB8250_	16KSCRB8300_	16KSCRB8400_	16KSCRB8500_	16KSCRB8600_

Packed: 1 px / Outer 1 | Min Qty:1

* Denotes 2 piece profile. All kits include fittings. Please specify centre split or side stacked (RHS OR LHS) when ordering MTM Coded. Please also specify RHS or LHS control. Bracket cap to be ordered as optional extra. ^ For Surge the gliders are replaced with gliders on a string. NOTE : Ceiling Brackets must be used if using Surge.

